

THIS DRAWING IS UNPUBLISHED. RELEASED FOR PUBLICATION  
 © COPYRIGHT BY TYCO ELECTRONICS CORPORATION. ALL RIGHTS RESERVED.

LOC		DIST		REVISIONS			
P	LTR	DESCRIPTION	DATE	DWN	APVD		
AD	00	B	ECO-06-000904	16OCT2007	RB	MS	

SPECIFICATIONS  
 MAKE-BEFORE-BREAK

MATERIALS:  
 ACTUATOR, BASE & COVER- NYLON 66 UL94V-0, BLACK  
 TERMINAL BOARD- PHENOLIC, NATURAL  
 TERMINAL/FIXED CONTACT- COPPER ALLOY- SILVER OVER NICKEL PLATE  
 MOVING CONTACT- COPPER ALLOY- SILVER OVER NICKEL PLATE  
 SEAL- EPOXY

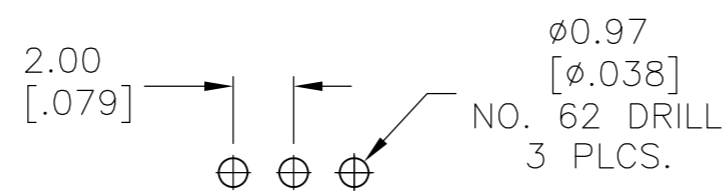
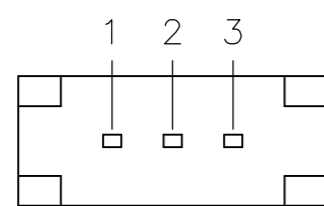
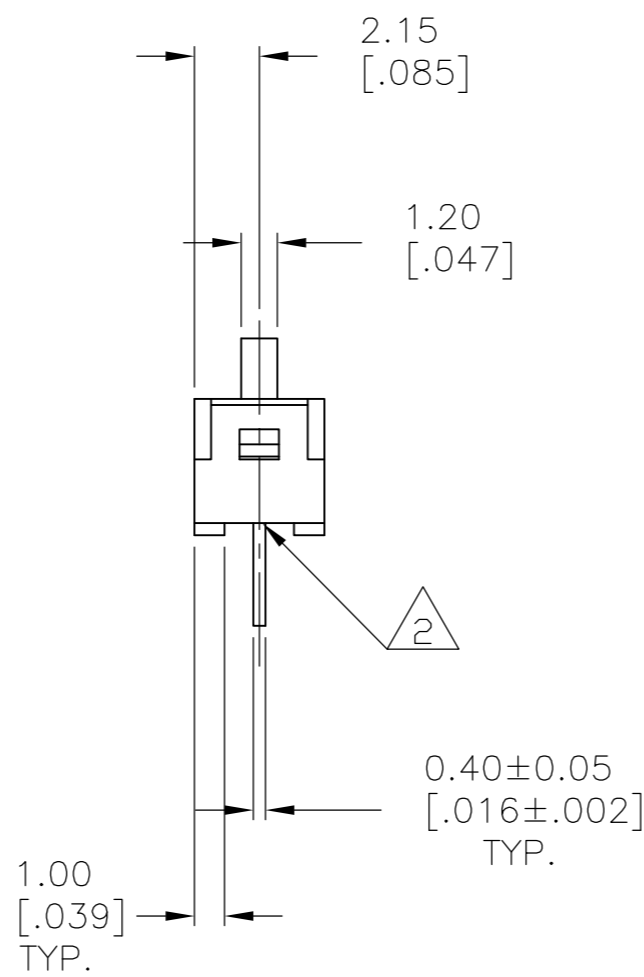
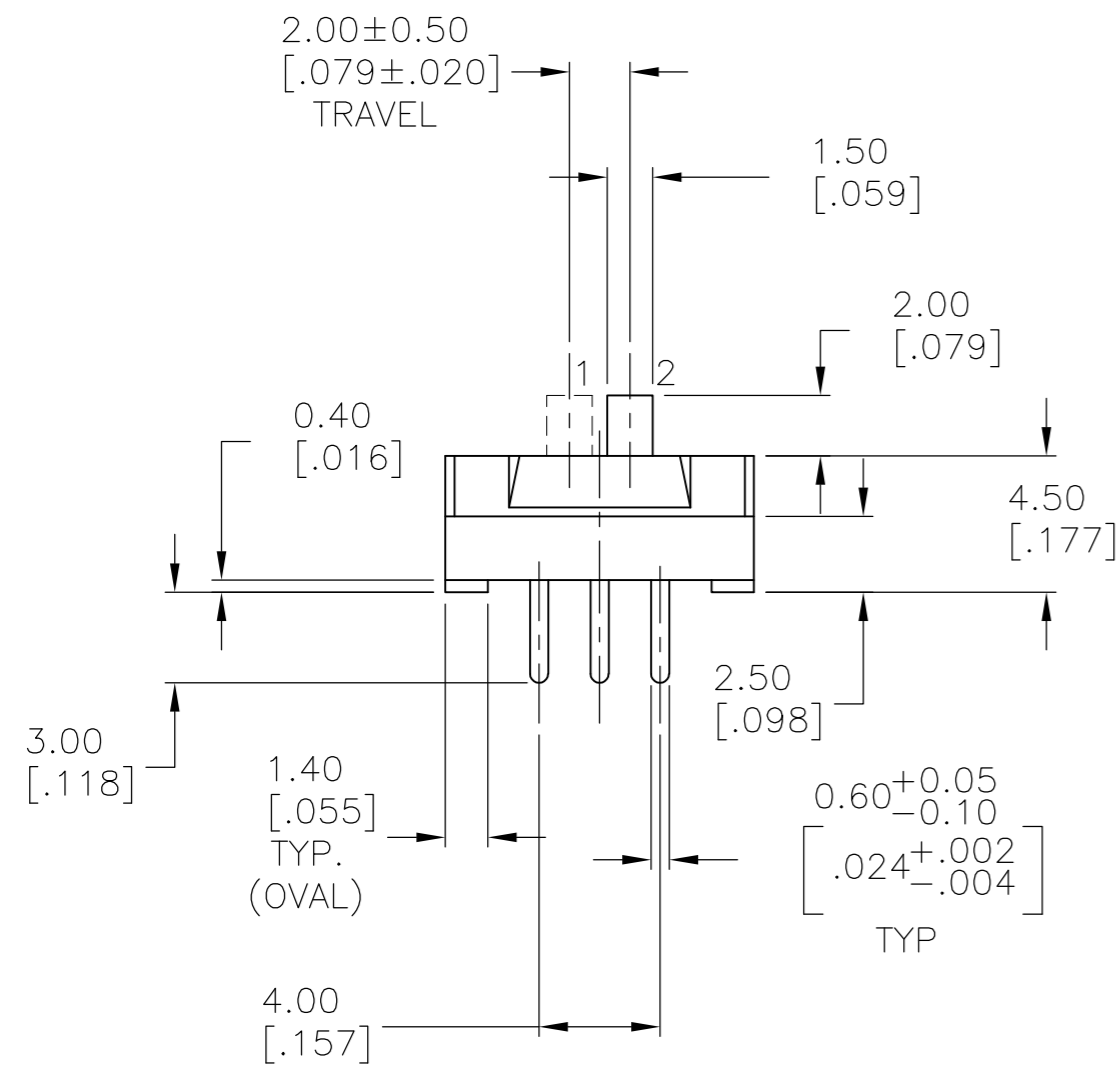
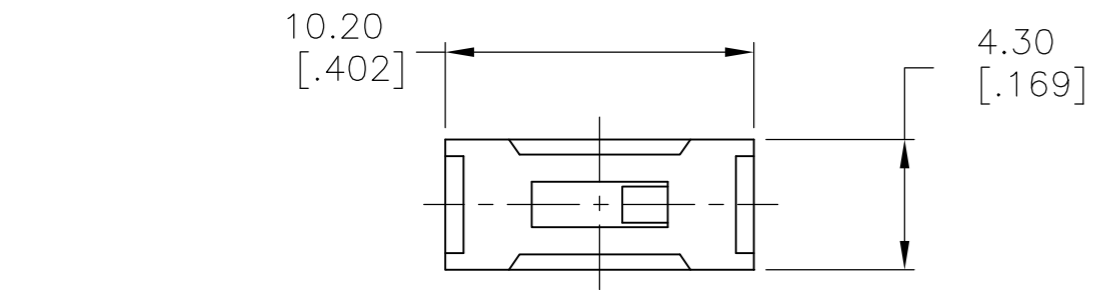
ELECTRICAL:  
 CONTACT RATING- 100mA@12V DC  
 INITIAL CONTACT RESISTANCE- 30MILLIOHM MAX.  
 FINAL CONTACT RESISTANCE- 100MILLIOHM MAX. (AFTER TEST)  
 INSULTAION RESISTANCE- 100MEGOHMS MIN.  
 DIELECTRIC STRENGTH- 500V RMS@SEA LEVEL  
 LIFE EXPECTANCY- 10,000 CYCLES MIN.

MECHANICAL:  
 ACTUATION FORCE- 250 +200/-150 GRAMS  
 TRAVEL- 2.00±0.50 [.079±.020]

ENVIRONMENTAL:  
 OPERATING TEMPERATURE- -20° TO +70°C  
 STORAGE TEMPERATURE- -30° TO +70°C  
 RESISTANCE TO SOLDER HEAT- 260° FOR 5 SEC. PER 109-202, CONDITION C  
 SOLDERABILITY PER EIA-364-52, CLASS 2, CATEGORY 1, 95% MIN COVERAGE

NOTES:  
 1. ALL MATERIALS AND FINISHES SHALL COMPLY WITH EU DIRECTIVE 2002/95/EC OF 27JAN2003 (ROHS)

- △ ANTI SOLDER WICK SEAL AT TERMINAL TO BOARD INTERFACE
- 3. ALL TESTING COMPLETED PER 202-2469 TEST SPECIFICATION



PCB HOLE LAYOUT  
 TOLERANCE ON P.C. LAYOUT  
 DIMENSIONS TO BE : ±.002

PART NO.	MODEL NO.	POS. 1	POS. 2
1825280-1	SSJ1204	2 TO 1	2 TO 3

TERMINALS CONNECTED WHEN SLIDER IS IN THE POSITION SHOWN.  
 NOTE: TERMINAL NUMBERS ARE FOR REFERENCE ONLY AND DO NOT APPEAR ON SWITCHES.

THIS DRAWING IS A CONTROLLED DOCUMENT.		DWN SUDHEER 16MAY06	Tyco Electronics Corporation Harrisburg, Pa 17105-3608	
DIMENSIONS: mm [INCHES]	TOLERANCES UNLESS OTHERWISE SPECIFIED:	CHK M. SARVER	NAME	
	0 PLC ± -	APVD M. SARVER	PRODUCT SPEC	
	1 PLC ± -	APPLICATION SPEC	LOW PROFILE SLIDE SWITCH (SSJ12 SERIES)	
	2 PLC ± -	WEIGHT -	SIZE A2	CAGE CODE 00779
	3 PLC ± 0.25[.010]	FINISH -	DRAWING NO C=1825280	RESTRICTED TO -
MATERIAL SEE SPECIFICATIONS	FINISH -	CUSTOMER DRAWING	SCALE 4:1	SHEET 1 OF 1
			REV B	

1825280